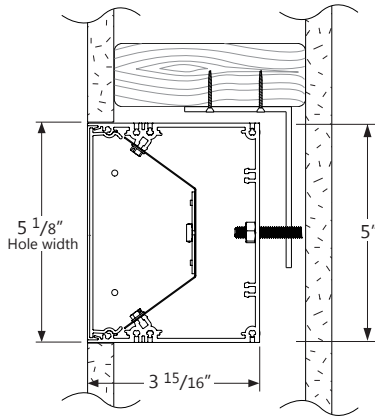


Project _____

Type _____

Notes _____



PERFORMANCE PER LINEAR FOOT AT 4000K

NOMINAL LUMEN OUTPUT	INPUT WATTS*	EFFICACY
400 lm/ft	3.6 W/ft	111 lm/W
500 lm/ft	4.6 W/ft	108 lm/W
750 lm/ft	7.4 W/ft	101 lm/W
1000 lm/ft	10.3 W/ft	97 lm/W

* Based on a 4 foot luminaire using one driver
Please consult factory for custom lumen output and wattage.



Ordering Guide

B6RVLED					SO				
PRODUCT ID	NOM. LUMENS/FT	CRI	COLOR TEMP.	SHIELDING	LENGTH				
B6RVLED Recessed Vertical LED	400 400 lm/ft - Minimum	80 80 CRI	27 2700 K	SO spotless lens	2 2'				
	1000 1000 lm/ft - Maximum	90 90 CRI	30 3000 K		3 3'				
			35 3500 K		4 4'				
			40 4000 K		5 5'				
					6 6'				
					8 8'				
					12 12'				
					S# system run				
Outputs between listed min and max are available. Consult factory for outputs outside of the listed range.									

FINISH	VOLTAGE	DRIVER	CIRCUITS	MOUNTING/SUSPENSION	BATTERY (OPTIONAL)
W white	120 120 V	DP dimming (0-10V) 1%	1 1 circuit	DF drywall flange	B# battery pack 4' sections
C custom	277 277 V	D dimming (0-10V) 5% 347V standard ⁽²⁾	2 2 circuits	DS drywall spackle flange	
	347 347 V ⁽¹⁾	LT Lutron ⁽³⁾	+E(#) emergency circuit ⁽⁵⁾	D drywall flangeless	
	UNV universal	BI bi-level dimming	+NL(#) night light circuit ⁽⁵⁾		
		O other ⁽⁴⁾	+GTD(#) generator transfer device ⁽⁵⁾		
	(1) D dimming (0-10V) 5% standard	(2) For 347 V only (3) Specify system (4) Please consult factory; see page 2	(5) Specify quantity		Not available with 347V Please consult factory

OTHER (OPTIONAL)	CUSTOM (OPTIONAL)
F fuse ⁽⁶⁾	C custom
EF end feed	
FW(#) flex whip (6' std)	
(6) Requires 120V or 277V	Please specify

● SPECIFICATIONS

CONSTRUCTION

Housing	Extruded aluminum (0.075" nominal) Up to 70% recycled content
Interior Brackets	Die formed sheet steel (18 gauge)
Reflectors	White powder coated sheet steel (22 gauge)
Blank	Extruded aluminum (0.075" nominal)
Lens	Spotless frosted acrylic lens

● ELECTRICAL

Lutron driver*	L3D - Hi-Lume A-Series EcoSystem 3-Wire Control (1%) LDE1 - EcoSystem H-Series (1%) LDE5 - EcoSystem 5-Series (5%) LTE - Hi-Lume® A-series 2Wires Forward Phase (1%) <small>*Consult factory</small>
Other drivers	DALI - Digital Addressable Lighting Interface DMX - Digital Multiplex LV - line voltage - Advance Mark 10 Xitanium SR - For wireless sensor
Emergency	Integral emergency battery pack or emergency circuit optional.
Input Voltage	120V, 277V, 347V, UNV.

i Incorporating these components may have limitations or affect the length of the luminaire. Please contact factory for more details.

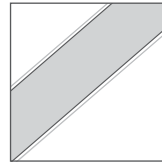
● SYSTEM (S#)

BEAM6 LED linear systems, with the use of a strong profile, allow for a nearly hair thin connection system of continuous runs. Lengths of 4', 8', 12' as well as custom lengths are available. Runs of BEAM6 LED that are greater than 12ft in length are designated as systems (S#). This means that the run is comprised of a combination of 4', 8' and/or 12' sections to be assembled on site using our joining system. For more information on systems and joining, please refer to the BEAM6 LED installation sheets available for download at www.axislighting.com.

● LED SYSTEM

CRI	Minimum 80 or 90 color rendering index
CCT	Choice of 2700K, 3000K, 3500K and 4000K color temperature with a great color consistency (within 3.5-step MacAdam ellipse).
LED life	Minimum 50,000h with 70% of lumen maintenance in 25°C ambient temperature, in compliance with IES LM-80 testing measurements.
Thermal management	Aluminium housing acting as the heat sink to maximize life.

● OPTICS



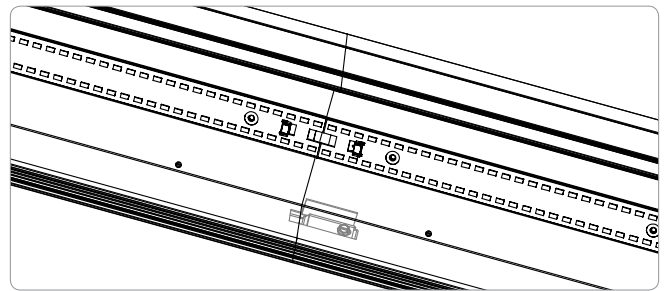
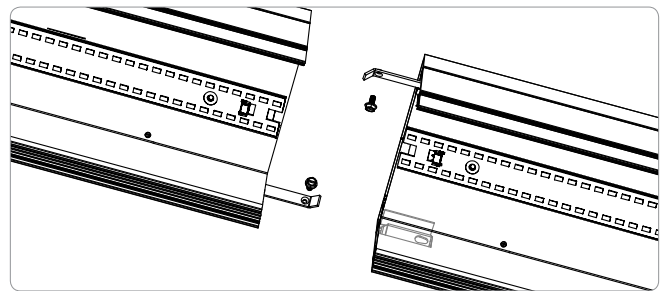
50 spotless lens

SPOTLESS LENS

Frosted acrylic snap-in lens with micro lens

● JOINERS

In order to allow very long runs of BEAM6 LED luminaires, Axis has developed an effective joining system. Special care has been taken to maximize the performance of the joiner for each BEAM6 LED option.



JOINER SYSTEM

NOTE: Hang each system segment individually. Do not assemble system prior to hanging.

● FINISH

Powder coated and custom finishes are also available.

● WEIGHT

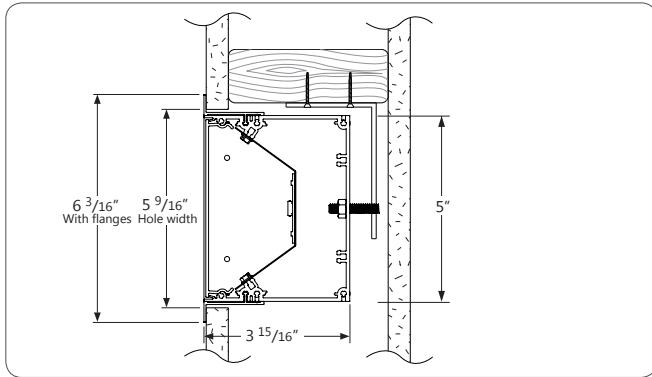
Recessed Vertical 4ft	16.3 lbs / 7.4 kg
Recessed Vertical 8ft	32.6 lbs / 14.8 Kg
Recessed Vertical 12ft	48.9 lbs / 22.2 Kg

● APPROVALS

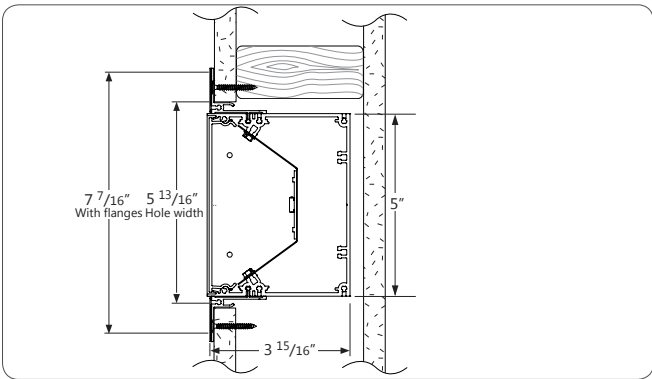
Certified to UL and CSA standards
Meets NYC requirements
Suitable for damp locations
IC Rated (Insulated ceiling)



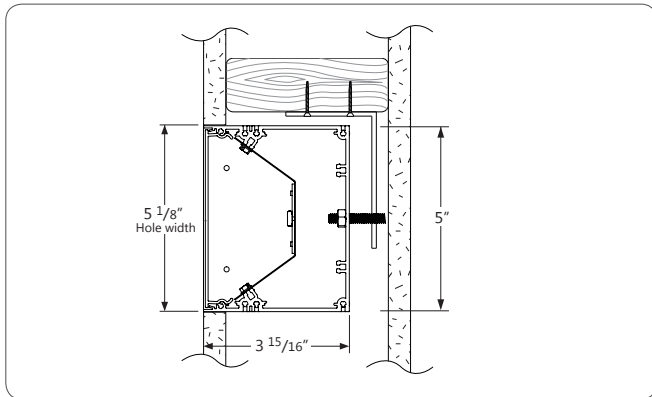
● VERTICAL RECESSED MOUNTING OPTIONS



DF DRYWALL FLANGED



DS DRYWALL SPACKLE FLANGE



D DRYWALL SPACKLE FLANGE

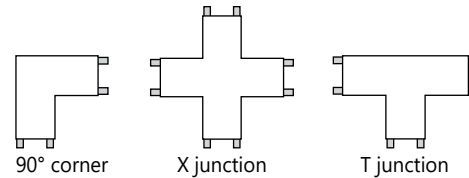
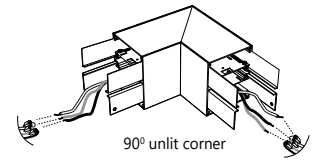
● OTHER MOUNTING OPTIONS

BEAM6 LED is also available with recessed, pendant, surface and wall mounted options.

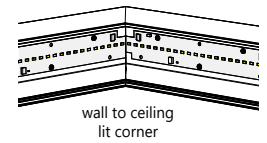
i Specification sheets and installation sheets for all mountings for BEAM6 LED luminaires are available for download at www.axislighting.com

● CORNERS

Unlit Corners - BEAM6 LED features a multitude of layout patterns with the use of a number of corners, 90° corner, T or X junctions.



Lit Corners - Axis also offers Lit 90° corners including ceiling to ceiling, wall to ceiling and ceiling to wall.



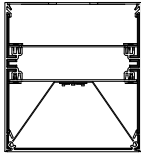
i For custom corner angles, please consult factory. Specifications sheets for all corners are available at: www.axislighting.com

● WARRANTY

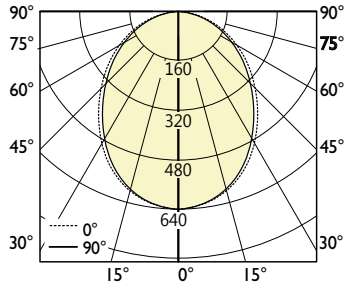
Axis Lighting will warrant defective LEDs, boards, and drivers for 5 years from date of purchase. Warranty is valid if luminaire is installed and used according to specifications. If defective, Axis will send replacement boards or drivers at no cost along with detailed replacement instructions and instructions on how to return defective components to Axis.

PHOTOMETRIC DATA

400 lm/ft



PHOTOMETRIC CURVE



Luminaire Lumens: 400 lm/ft
Input Watts: 3.6W/ft
Efficacy: 111 lm/W

IES FILE: B6RVLED-400-80-40-SO.IES
 TESTED ACCORDING TO IES LM-79-2008

CANDELA DISTRIBUTION

Vertical Angle	Horizontal Angles				
	0	22.5	45	67.5	90
0	638	638	638	638	638
5	631	634	632	636	637
15	597	600	596	595	597
25	533	533	527	522	522
35	449	447	439	430	427
45	357	355	345	338	333
55	265	263	255	247	244
65	176	174	169	165	163
75	95	94	92	88	88
85	26	24	24	23	23
90	0	0	0	0	0

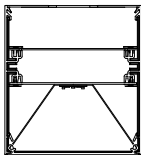
ZONAL LUMENS

Zone	Lumens
0	
0-10	60
10-20	168
20-30	242
30-40	274
40-50	267
50-60	228
60-70	168
70-80	97
80-90	27
90	

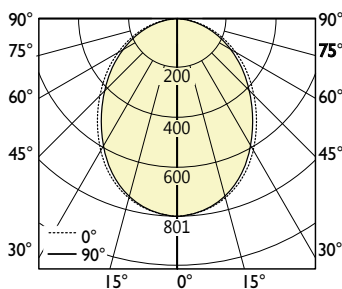
LUMINANCE DATA (cd/m²)

Vertical Angle	Horizontal Angles		
	0	45	90
45	4050	3915	3780
55	3705	3560	3415
65	3339	3212	3085
75	2944	2852	2714
85	2391	2186	2118

500 lm/ft



PHOTOMETRIC CURVE



Luminaire Lumens: 500 lm/ft
Input Watts: 4.6 W/ft
Efficacy: 108 lm/W

IES FILE: B6RVLED-500-80-40-SO.IES
 TESTED ACCORDING TO IES LM-79-2008

CANDELA DISTRIBUTION

Vertical Angle	Horizontal Angles				
	0	22.5	45	67.5	90
0	798	798	798	798	798
5	789	792	790	795	797
15	746	750	745	744	746
25	666	666	659	652	652
35	561	559	548	538	534
45	446	443	431	422	417
55	331	328	318	309	305
65	220	217	212	206	203
75	119	118	115	110	109
85	32	30	30	29	29
90	0	0	0	0	0

ZONAL LUMENS

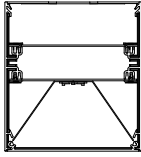
Zone	Lumens
0	
0-10	75
10-20	210
20-30	303
30-40	343
40-50	333
50-60	285
60-70	210
70-80	121
80-90	34
90	

LUMINANCE DATA (cd/m²)

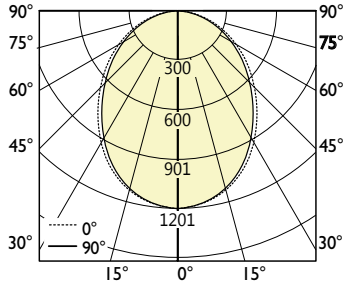
Vertical Angle	Horizontal Angles		
	0	45	90
45	5062	4894	4725
55	4632	4450	4269
65	4173	4015	3856
75	3680	3565	3393
85	2989	2732	2647

PHOTOMETRIC DATA

750 lm/ft



PHOTOMETRIC CURVE



Luminaire Lumens: 750 lm/ft
Input Watts: 7.4W/ft
Efficacy: 101 lm/W

IES FILE: B6RVLED-750-80-40-SO.IES
 TESTED ACCORDING TO IES LM-79-2008

CANDELA DISTRIBUTION

Vertical Angle	Horizontal Angles				
	0	22.5	45	67.5	90
0	1197	1197	1197	1197	1197
5	1183	1188	1186	1192	1195
15	1119	1124	1117	1116	1119
25	999	999	988	978	978
35	842	839	822	807	801
45	669	665	647	633	625
55	497	493	477	463	458
65	330	326	317	309	305
75	178	177	173	166	164
85	49	45	45	43	43
90	0	0	0	0	0

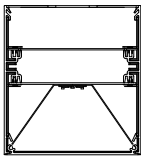
ZONAL LUMENS

Zone	Lumens
0	
0-10	113
10-20	315
20-30	455
30-40	514
40-50	500
50-60	427
60-70	315
70-80	182
80-90	52
90	

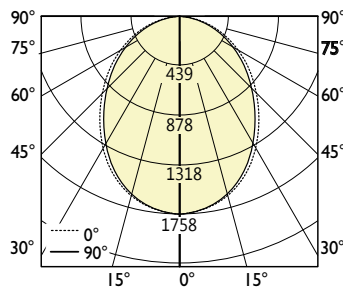
LUMINANCE DATA (cd/m²)

Vertical Angle	Horizontal Angles		
	0	45	90
45	7593	7341	7088
55	6948	6675	6403
65	6260	6022	5784
75	5521	5348	5089
85	4483	4098	3970

1000 lm/ft



PHOTOMETRIC CURVE



Luminaire Lumens: 1000 lm/ft
Input Watts: 10.3 W/ft
Efficacy: 97 lm/W

IES FILE: B6RVLED-1000-80-40-SO.IES
 TESTED ACCORDING TO IES LM-79-2008

CANDELA DISTRIBUTION

Vertical Angle	Horizontal Angles				
	0	22.5	45	67.5	90
0	1596	1596	1596	1596	1596
5	1577	1584	1581	1590	1594
15	1492	1499	1490	1488	1492
25	1332	1332	1317	1304	1304
35	1122	1119	1096	1076	1069
45	892	887	863	844	833
55	662	657	636	618	610
65	440	434	423	412	406
75	237	236	230	221	219
85	65	59	59	58	58
90	0	0	0	0	0

ZONAL LUMENS

Zone	Lumens
0	
0-10	150
10-20	420
20-30	606
30-40	686
40-50	667
50-60	570
60-70	419
70-80	242
80-90	69
90	

LUMINANCE DATA (cd/m²)

Vertical Angle	Horizontal Angles		
	0	45	90
45	10124	9788	9451
55	9264	8900	8537
65	8347	8030	7713
75	7361	7131	6786
85	5977	5465	5294