

# ID+ 3.5" x 3.5"

LED TITLE 24 (JA8) ADJUSTABLE



clear diffuse



warm diffuse



black



white

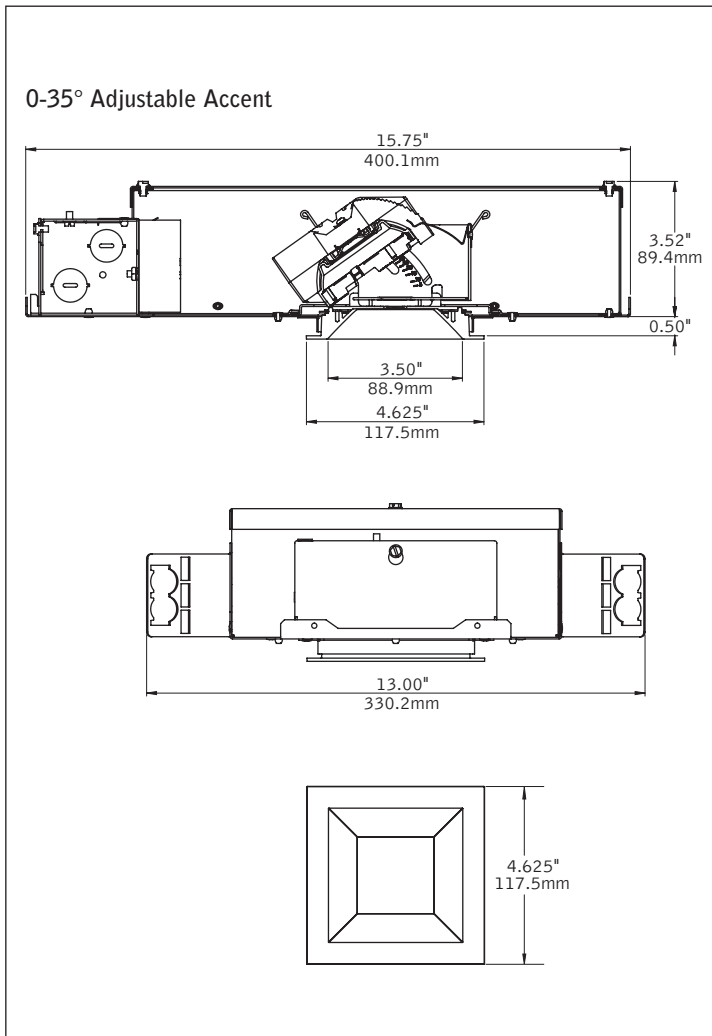


spot - open optic



trimless companion

## DIMENSIONAL DATA



## FEATURES

Small aperture LED adjustable accent with shallow housing meets Title 24 (JA8) requirements.

Tension locking mechanism for tool-less adjustability and precise aiming with 35° vertical tilt and 362° rotation.

Field changeable beam spread optics to accommodate post-installation design changes.

Selection of die-cast trims with Solite lens to complement any design.

Built-in adjustment feature to ensure flawless alignment of installed trims.

Selection of dimming drivers available.

## PERFORMANCE

**Adjustable Accent at 0° Spot, 3500K**

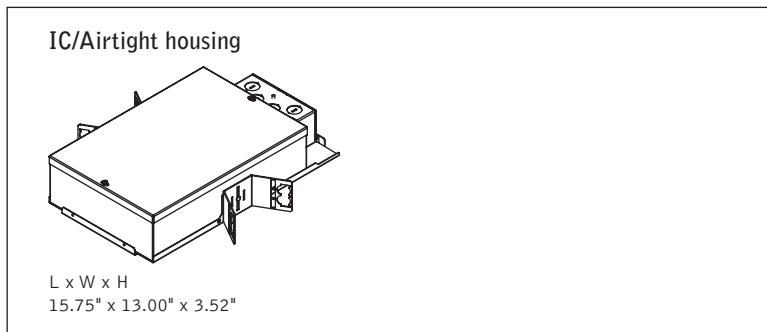
Watts	Lumen Output	CBCP
10	600	5118
13	750	6274

Photometric performance is measured in accordance with IESNA LM-79. Visit focalpointlights.com for complete photometric data.

fixture:

project:

## HOUSING DETAILS



## HOUSING SPECIFICATIONS

### LED System

Proprietary LED module with single light emitting source. May be specified in 2700K, 3000K, 3500K or 4000K in CRI>80 or CRI>90. Color accuracy within 2 SDCM. Aluminum heat sink provides appropriate thermal management.

### Construction

Thermally protected housing for new construction applications. Insulation to be kept 3" away from housing. Type IC inherently protected, suitable for direct contact with insulation. Restrictive airflow per ASTM-E283. Butterfly brackets allow mounting to 1/2 emt. Order bar hangers as an accessory. Die-cast aluminum heat sink designed for maximum thermal dissipation. Die-formed housing and integral junction box with (7) 1/2" pry outs. UL & cUL listed for (8) #12 AWG (4 in, 4 out) 90°C conductors and feed through-branch wiring. Accommodates ceiling thicknesses from 0.5" to 1" thickness. For thicker ceiling consult factory. Fixture will not exceed 5 lb.

### Adjustment

35° vertical tilt and 362° rotation of light module.

### Electrical

Choice of constant current dimming drivers. Power factor > .9 typical.

### Labels

UL and cUL Listed. Suitable for Dry or Damp Locations, indoor use only. AA trim optic with Solite lens, Wet Location standard. Meets high efficacy standards of California Title 24 (JA8).

### Lumen Maintenance

Reported: L70 at >55,000 hours                      Calculated: L70 at 420,000 hours  
L90 at >55,000 hours                                      L90 at 108,000 hours

Derived from EPA TM-21 calculator. Based on typical conditions, consult factory for additional data.

### Reliability

At Focal Point, our products are designed to stand the test of time. Each luminaire is engineered using superior components, manufactured with the utmost care and rigorously tested. Contact us for reliability data.

### Warranty

LED System rated for operation in ambient environments up to 25°C. 5-year limited warranty.

## TRIM SPECIFICATIONS

### Aesthetics

Reflector is Die-cast aluminum. Torsion springs pull trim tight to the ceiling with no visible fasteners within the trim. Trims are self-flanged.

### Optics

Beam spreads achieved with optics that may be easily changed in field.

## 15° SPOT PERFORMANCE CHART

Lumen Output	System Watts	Lumens Per Watt (LPW)	Center Beam Candlepower (CBCP)
600	10	59	5118
750	13	58	6274

Tested with 3500K, 90CRI, Clear Diffuse Reflector. Lumen multipliers: WD = 0.9963, BK = 0.9726, WH = 1.0126. Lumen output may vary +/- 5%. Actual wattage may vary +/- 5%.

## HOUSING ORDERING

		FLCS33T4
<b>Housing Series</b>	ID+ 3.5" Square Title 24 (JA8) Housing	FLCS33T4
<b>Trim Type</b>	Square Overlap	SO
<b>Lumen Output</b>	600 Lumens	600L
	750 Lumens	750L
<b>Color Temperature</b>	2700K, 90 CRI	927K
	3000K, 90 CRI	930K
	3500K, 90 CRI	935K
	4000K, 90 CRI	940K

<b>Distribution</b>	15° Spot (AAS trim optic only)	SP
	18° Spot with Solite Lens	SPA
	25° Narrow Flood	NFL
	45° Flood	FL
	30° x 15° Linear Spread Lens	LS
<b>Voltage</b>	120V	120

<b>Control System &amp; Dimming Level</b>	0-10V - 1% Dimming	L11
	0-10V - 0% Dimming	LZ1
	Forward Phase (750L only.)	LFP

<b>Housing Type</b>	IC Rated / Airtight	IC
<b>Factory Options</b>	Bar Hangers	BH

## TRIM ORDERING

		LCS33T4
<b>Aperture</b>	3.5" Square Aperture	LCS33T4
<b>Trim Type</b>	Square Overlap	SO

<b>Optic</b>	Adjustable Accent (Solite lens standard)	AA
	Adjustable Accent - 15° Spot (Open optic, no wet location. SP distribution only)	AAS

<b>Reflector Color</b>	Clear Diffuse	CD
	Warm Diffuse	WD
	Black	BK
	White	WH

<b>Flange Finish</b>	(Leave blank for matching reflector and flange finish. Available with CD & WD only.)	
	Black	BK
	White	WH

## ACCESSORIES

(One kit included per order as indicated in Distribution above. Order additional kits to change distribution in the field as needed.)

Spot Kit	FLCS33-SPAK	_____
Narrow Flood Kit	FLCS33-NFLK	_____
Flood Kit	FLCS33-FLK	_____
Linear Spread Kit	FLCS33-LSK	_____

**LUMEN PERFORMANCE MULTIPLIER CHART - SQUARE**

Option	Description	Ordering Code	Multiplier
Trim Type	Square Trimless	ST	1.00
	Square Overlap	SO	1.00
Distribution	Spot	SP	1.00
	Narrow Flood	NFL	
	Flood	FL	
	Wide Flood	WFL	
Color	Clear Diffuse	CD / CDWH / CDBK	1.00
	Warm Diffuse	WD / WDWH / WDBK	
	White	WH	
	Black	BK	
Color Temperature	2700K, 80+ CRI	27K	
	2700K, 90+ CRI	927K	
	3000K, 80+ CRI	30K	
	3000K, 90+ CRI	930K	
	3500K, 80+ CRI	35K	1.00
	3500K, 90+ CRI	935K	
	4000K, 80+ CRI	40K	
	4000K, 90+ CRI	940K	